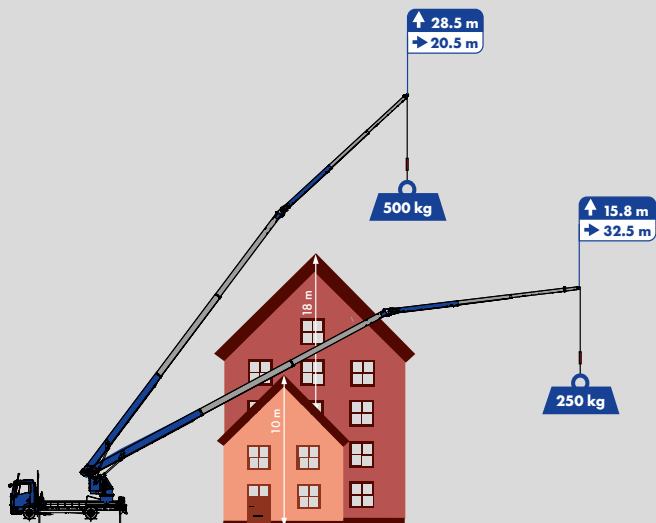




Working range

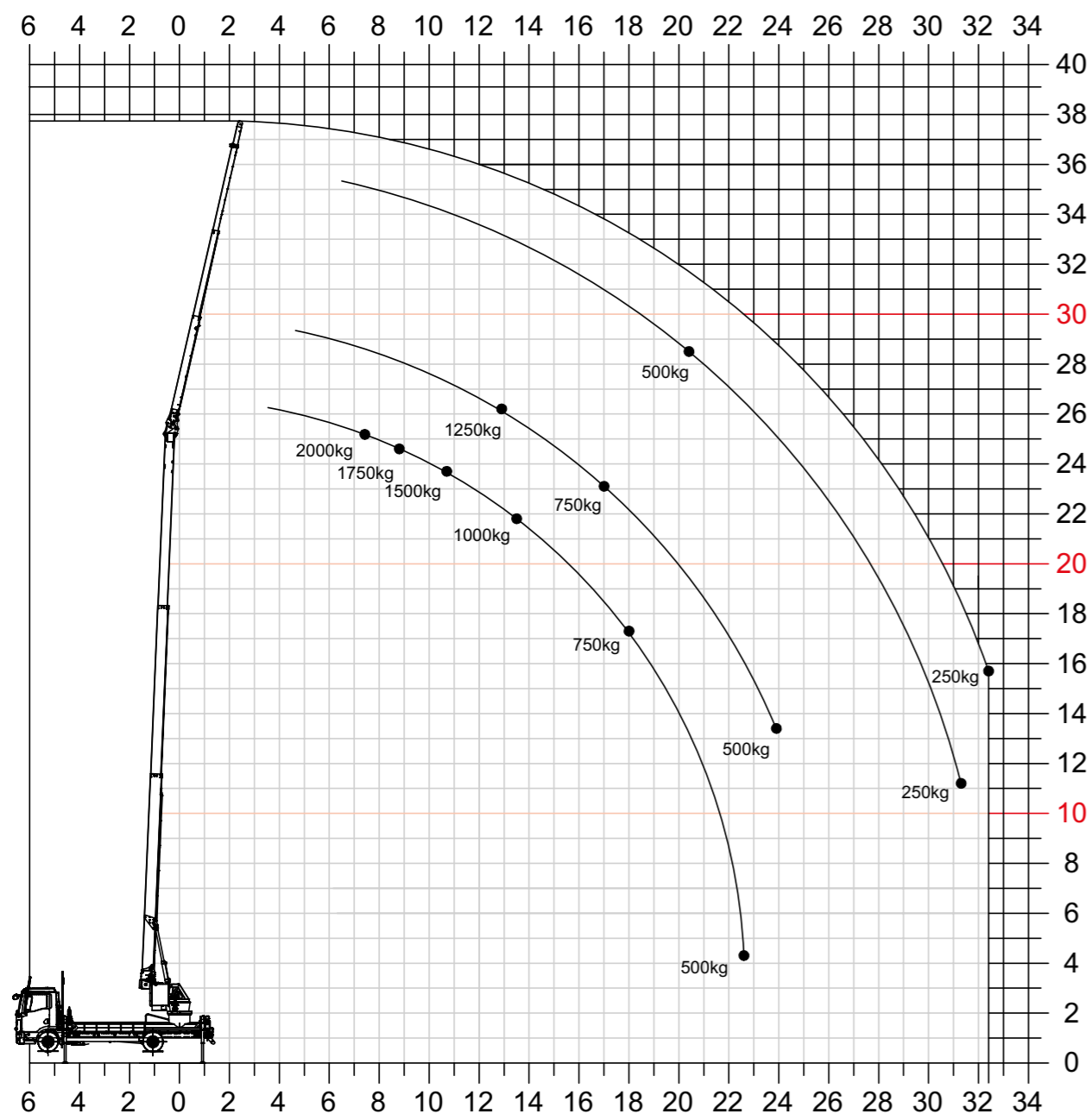


▶ Hook height 37.5 m / Boom length 39 m

▶ 32.5 m max. Working range with 250 kg

▶ Double hydraulic telescopic fly jib

Working range diagram

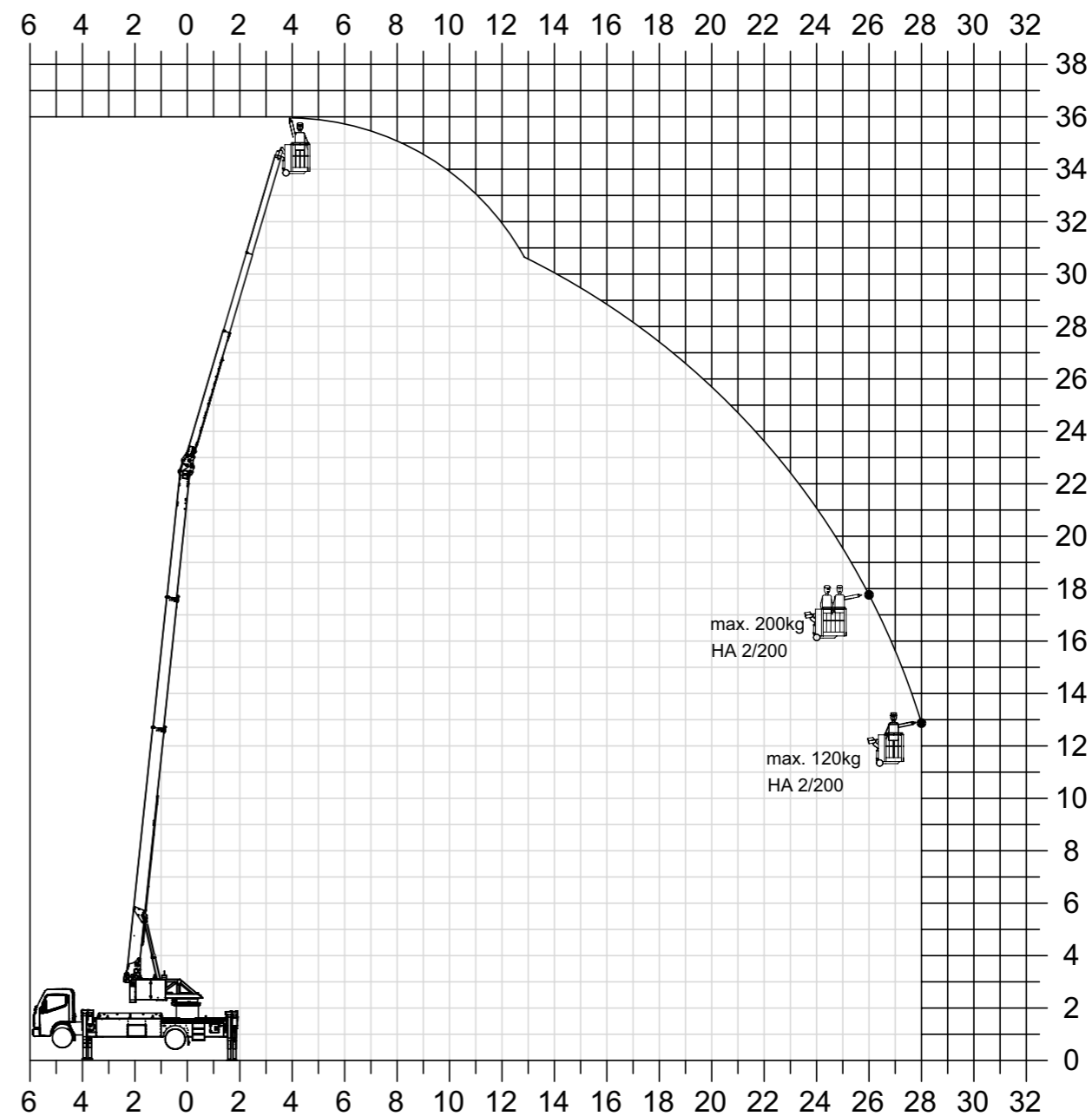


Working range crane operation

Load	Range	Height
250 kg	32.50 m	15.80 m
500 kg	24.00 m	13.50 m
750 kg	18.00 m	17.00 m
1,000 kg	13.50 m	22.00 m
1,250 kg	13.00 m	26.00 m
2,000 kg	7.50 m	25.00 m

Working range vary, depending on truck type.

Platform operation



Working range HA 2/200

Load	Range	Height
120 kg	28.00 m	12.80 m
200 kg	26.00 m	17.70 m
max. Working height		35.90 m




Working range vary, depending on truck type

Subject to technical changes. All specifications are approximate and depending on truck type. Changes to the functions and services are reserved. The information reflects the device performance at the time of printing.

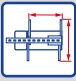




Technical specifications

Load capacity	
Hook load	2,000 kg
Winch capacity	2,000 kg

Boom	
 Hook height	37.50 m
 Boom length	39.00 m
 Working height up to the boom	25.00 m
Swivel range	Continuous rotation

Fly jib	
Fly jib (2,000 kg)	5.11 m
Extension 1+2 (2,000 kg - 500 kg)	5.11 - 11.91 m
Extension 3 (250 kg)	14.07 m

H-Outriggers	
 Outriggers (max.) L x W	5.51 x 6.23 m
 Outrigger width (min.)	2.71 m
 Outrigger width 1-sided support	4.47 m

Drive concepts	
E	battery powered electric motor

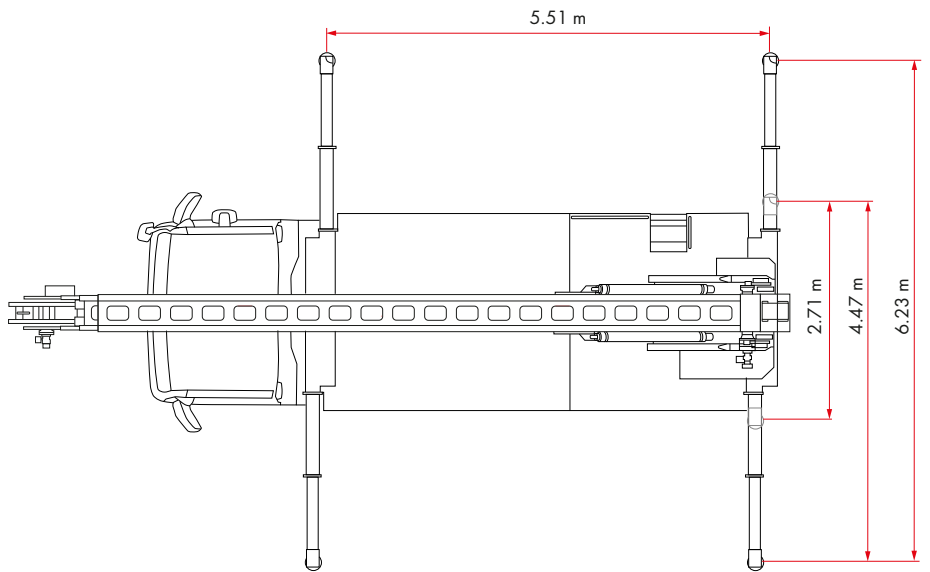
Truck	
Truck * Total weight (min.)	≥ 7.5 t

* depending on truck type

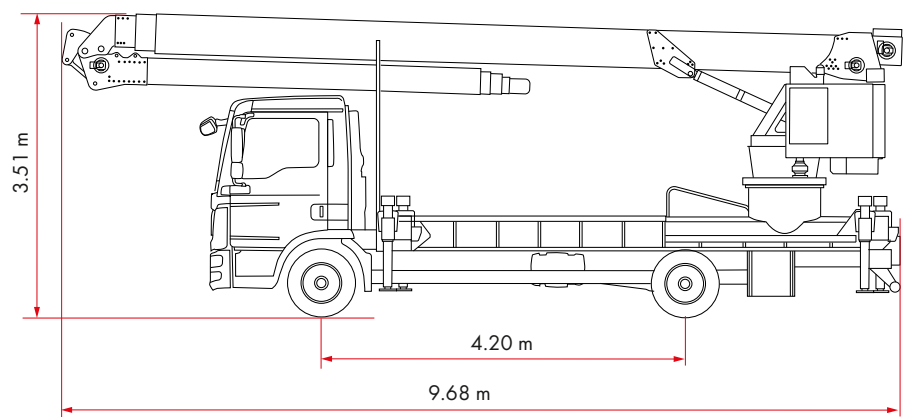
Fly jib



Outriggers



Truck (MAN TGL)



Subject to technical changes. All specifications are approximate and depending on truck type. Changes to the functions and services are reserved. The information reflects the device performance at the time of printing.

