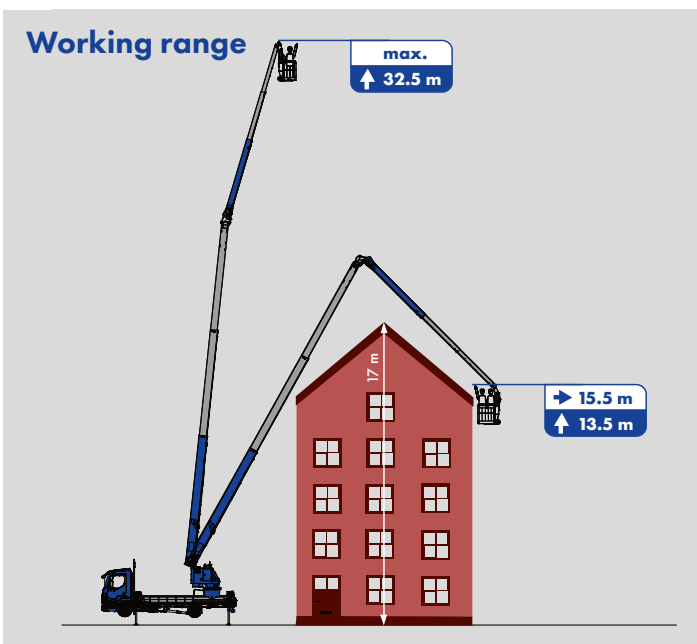




Klaas

Lütz

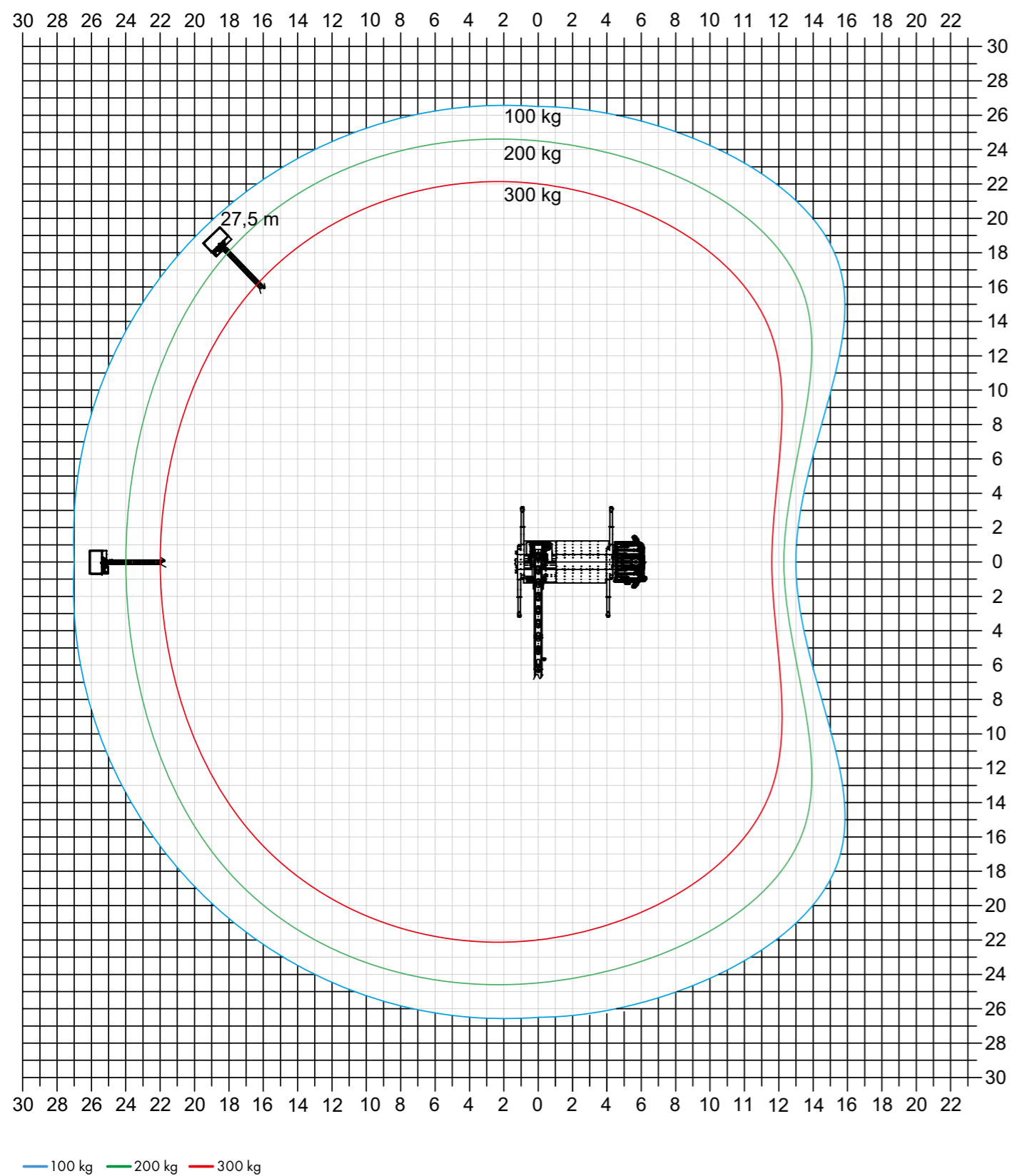


▶ 32.5 m Working height

▶ 27.8 m Working range with 100 kg

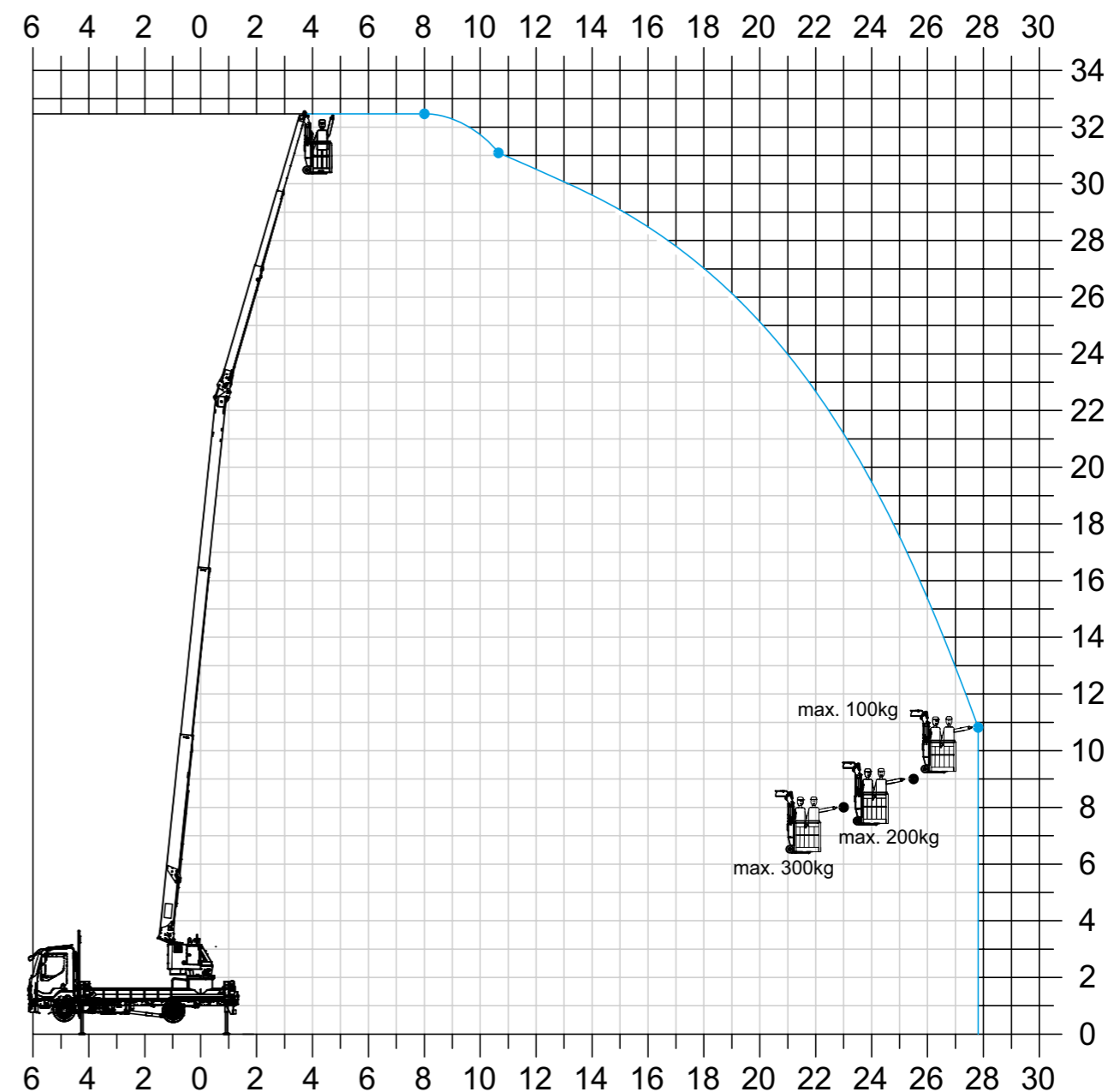
▶ Double hydraulic telescopic fly jib

Working range diagram



Working range vary, depending on truck type.

Working range diagram - Range to the diagonal



Max. range to the side

Load	Range
100 kg	26.50 m
200 kg	24.50 m
300 kg	22.00 m

Max. range to the rear

Load	Range
100 kg	27.00 m
200 kg	24.00 m
300 kg	22.00 m

Max. range to the diagonal

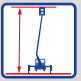
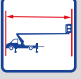

Load	Range	Height
100 kg	27.50 m	10.80 m
200 kg	25.50 m	9.00 m
300 kg	23.00 m	8.00 m
max. Working height		32.50 m

Working range vary, depending on truck type.

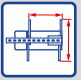




Technical specifications

Work Basket	
max. Basket capacity	300 kg
Work basket angle of rotation	+/- 225°
Large work basket	1.65 x 0.85 m

Hauptmast	
 Working height	32.5 m
 Max. Range to the rear (100 kg)	27.00 m
 Max. Range to the side (100 kg)	26.50 m
Swivel range	Continuous rotation

Fly jib	
Fly jib	4.97 m
Extension 1+2 (hydraulically)	4.97 - 11.77 m

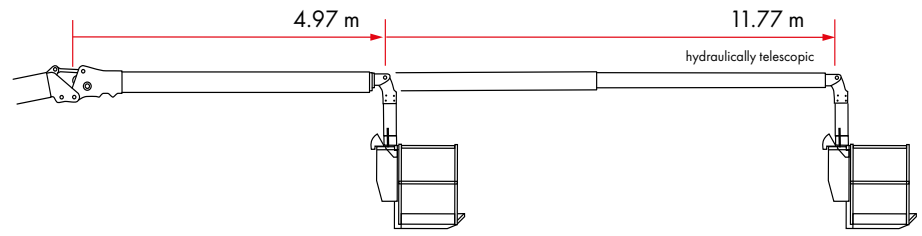
H-Outriggers	
 Outriggers (max.) L x W	5.17 x 6.23 m
 Outrigger width (min.)	2.71 m
 Outrigger width 1-sided support	4.47 m

Drive concepts	
E	battery powered electric motor

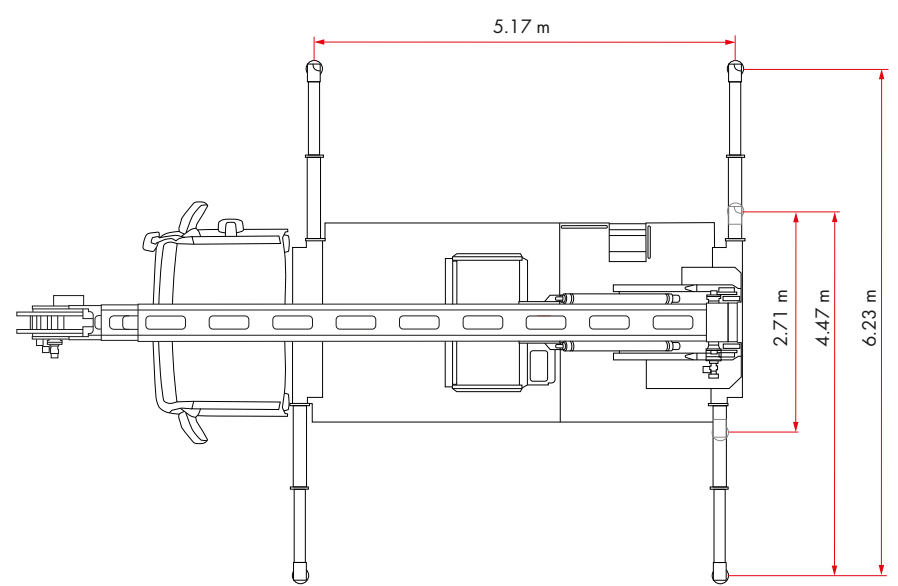
Truck	
Truck* Total weight (min.)	≥ 7.5 t

* depending on truck type

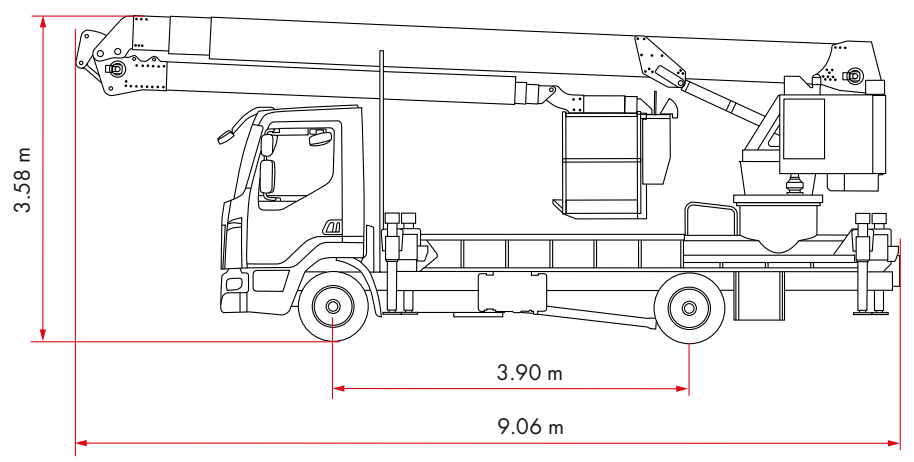
Fly jib



Outriggers



Truck (DAF XB 190)



Subject to technical changes. All specifications are approximate and depending on truck type. Changes to the functions and services are reserved. The information reflects the device performance at the time of printing.

