

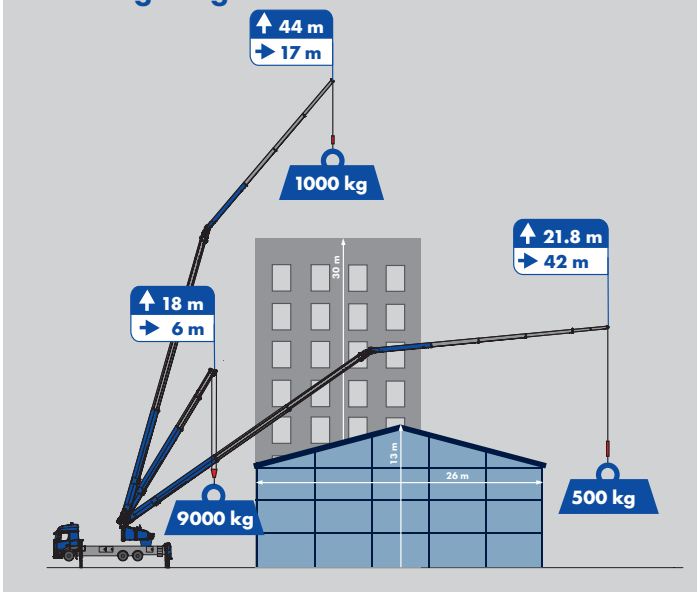


Klaas

K2350



Working range

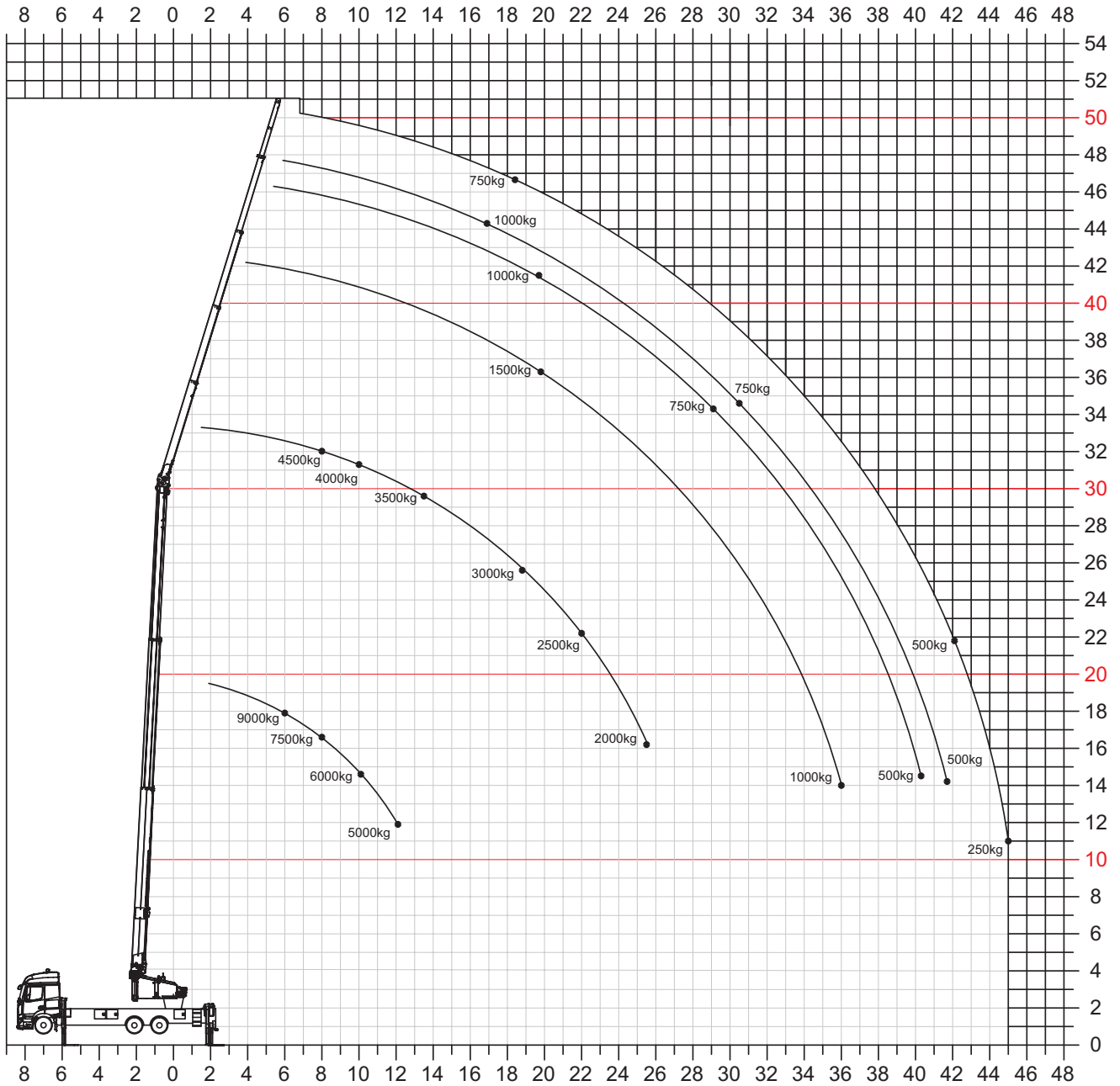


▶ Max. capacity 9,000 kg

▶ 4,500 kg Winch capacity

▶ Hook height 50.0 m

Working range diagram



Working range single fall operation

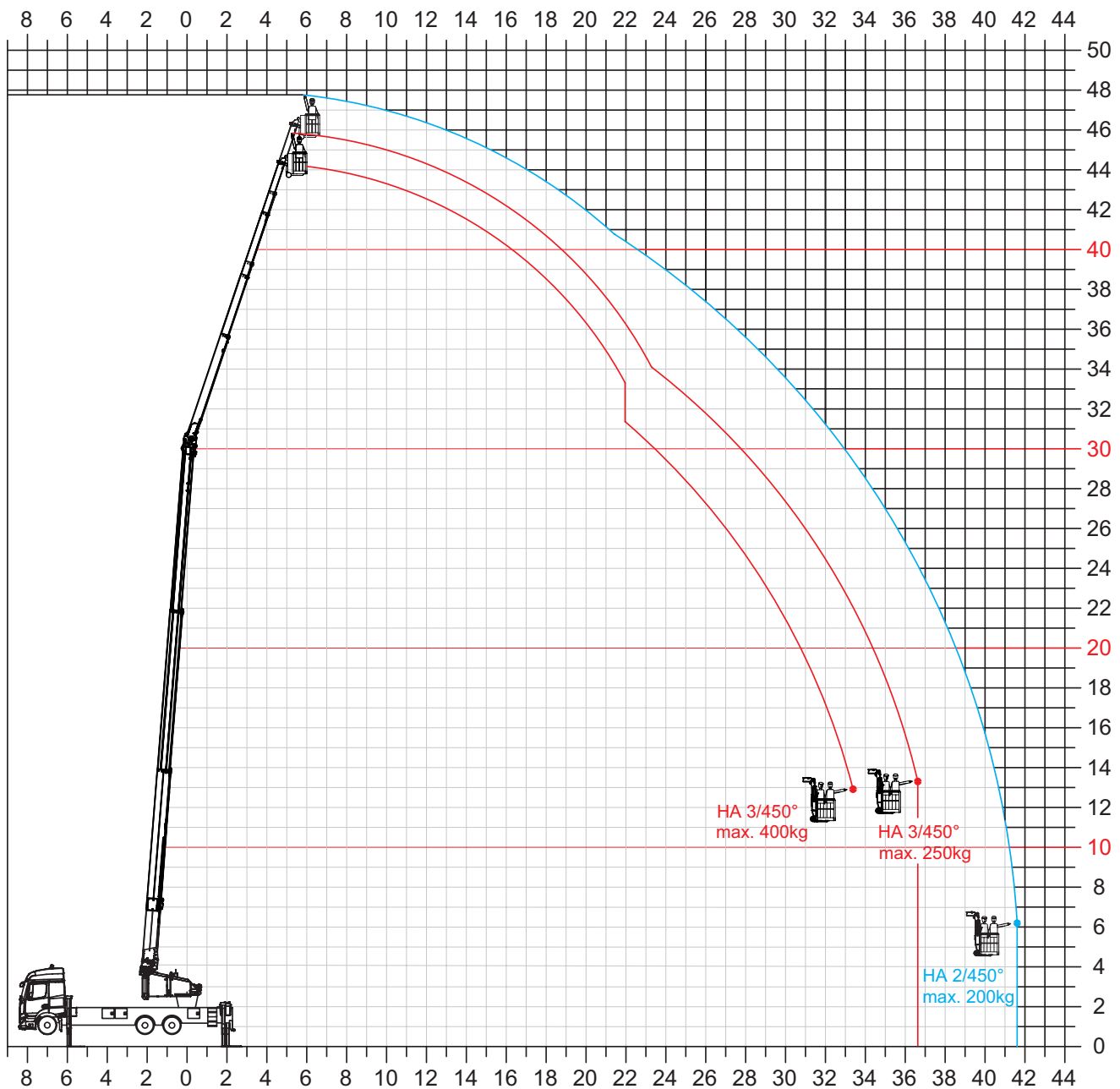
Load	Range	Height
250 kg	45.00 m	11.00 m
500 kg	42.00 m	21.80 m
1,000 kg	36.00 m	14.00 m
2,000 kg	25.50 m	16.00 m
3,000 kg	19.00 m	25.50 m
3,500 kg	13.50 m	29.50 m
4,500 kg	8.00 m	32.00 m

Working range two fall operation

Load	Range	Height
5,000 kg	12.00 m	12.00 m
6,000 kg	10.00 m	14.30 m
7,500 kg	8.00 m	16.40 m
9,000 kg	6.00 m	18.00 m

Working range vary, depending on truck type.

Platform operation



Working range HA 2/450°

Load	Range	Height
200 kg	41.50 m	6.00 m
max. Working height		47.80 m

Working range HA 3/450° and roofing platform

Load	Range	Height
400 kg	33.40 m	13.00 m
250 kg	36.70 m	13.30 m
max. Working height		43.80 m

Working range vary, depending on truck type.

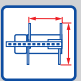




Technical specifications

Load capacity	
Single fall operation	4,500 kg
Two fall operation	9,000 kg
Winch capacity	4,500 kg

Boom	
 Hook height	50.00 m
Swivel range	Continuous rotation

Fly jib	
Fly jib (4,500 kg)	6.65 m
Fly jib extension 1-3 hydraulic	
Range (4,500 kg - 1,000 kg)	6.65 - 17.50 m
Range (1,000 kg - 750 kg)	17.50 - 18.80 m
Extension 4 (750 kg) manual	21.65 m

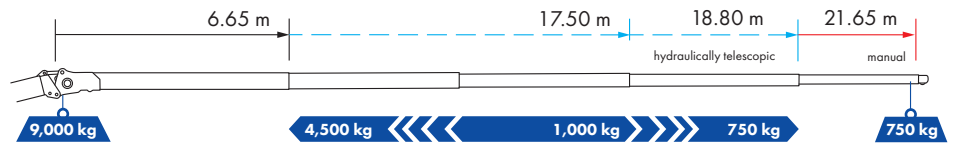
H-Outriggers	
 Outriggers (max.) L x B	6.99 x 7.34 m
 Outrigger width (min.)	3.04 m
 Outrigger width 1-sided support	5.19 m

Drive concepts	
RHX	Hybrid drive
E	Battery-powered electric motor

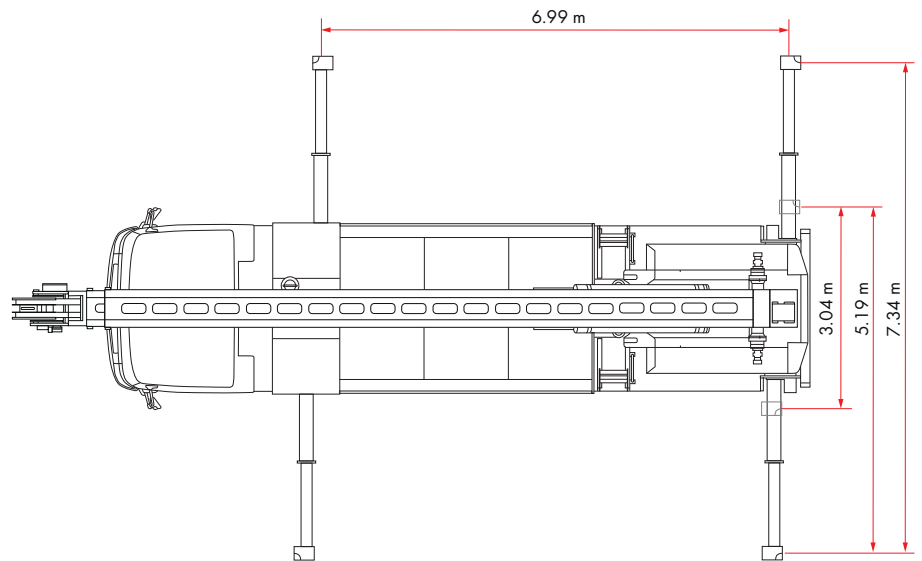
Truck	
Truck* Total weight (min.)	≥ 26.00 t

* depending on truck type

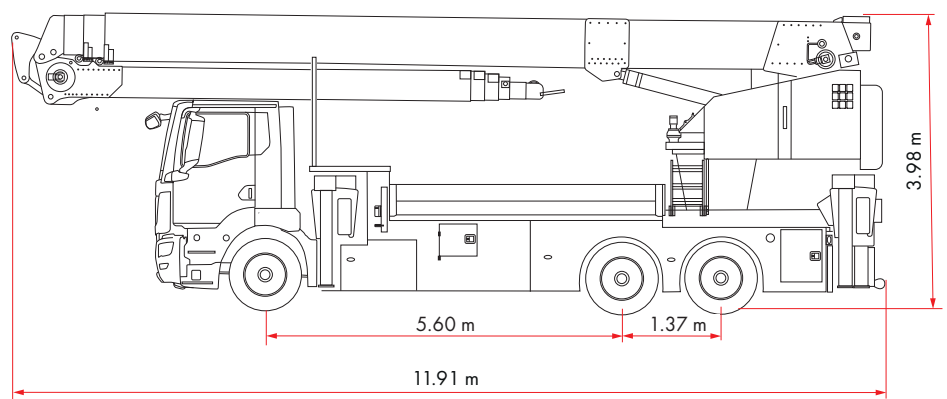
Fly jib



Outriggers



Truck



Subject to technical changes. All specifications are approximate and depending on truck type. Changes to the functions and services are reserved. The information reflects the device performance at the time of printing.

09/2025



K2350



kranlyft.com/contact