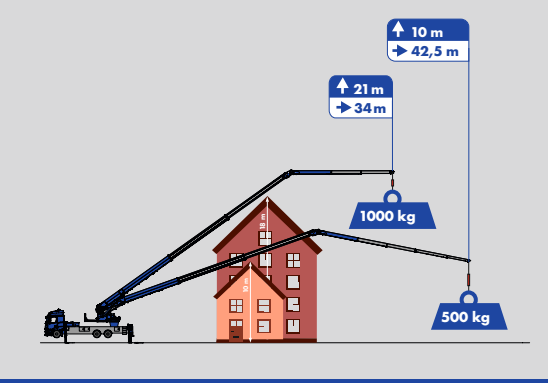


K2300



Hook Height 48 m / Boom length 49.5 m
Max. capacity 9,000 kg
26 m Working range with 2,000 kg

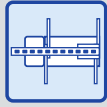


K2300

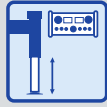
Equipment



Klaas Boom system



H-Outriggers



Automatic levelling



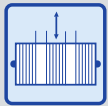
Hydraulic, telescopic fly jib



Twin luffing cylinders



Double derricking cylinders



Telescopic winch



Continuous rotation



Crane control system



XL Radio remote control



Hybrid drive



Full panelling



Personal safety mode



Working platform (opt.)



Accessory fix system (opt.)



Mounting-/glass hook (opt.)

Technical specifications

Hook load (stand./opt.)	4.5/9.0 t
Hook height	48.00 m
Boom Length	49.50 m
Outrigger width (min.)	3.04 m
Outrigger width (max.)	7.00 m
Winch Capacity	4,500 kg
Boom (4,500 kg - 1,500 kg)	5.75 - 12.47 m
Extension 3+4 (750 kg)	18.45 m
Truck * Total weight (min.)	≥ 26.00 t

* depending on truck type

Working range*

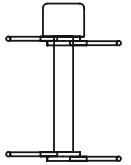
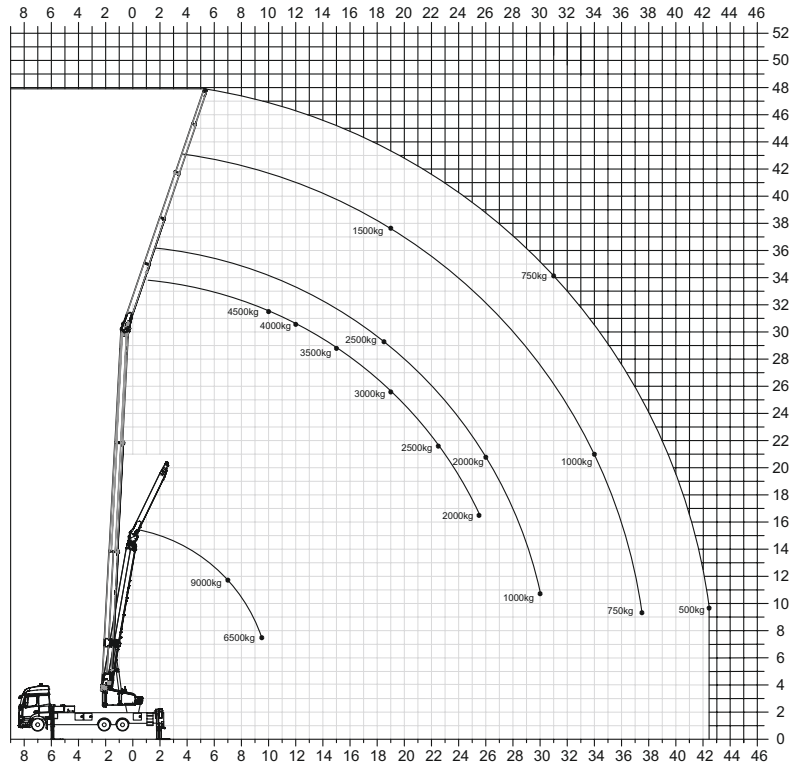
Load	Working range	Height
4,500 kg	10.00 m	31.80 m
4,000 kg	12.00 m	30.80 m
3,000 kg	19.00 m	25.50 m
2,000 kg	26.00 m	21.00 m
1,000 kg	34.00 m	21.00 m
500 kg	42.50 m	9.80 m

Working range 6t Capacity**

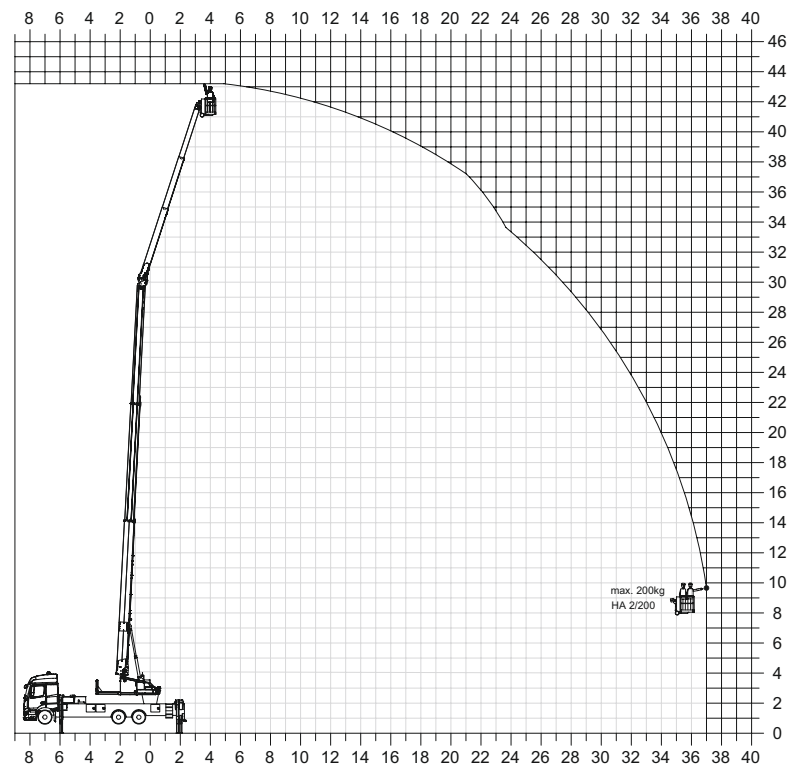
Load	Working range	Height
9,000 kg	7.00 m	11.80 m
6,500 kg	9.50 m	7.50 m

**with 2-fall instead

Working range diagram*



Platform operation*



*Working range vary, depending on truck type.

Subject to technical changes. All specifications are approximate and depending on truck type. Changes to the functions and services are reserved. The information reflects the device performance at the time of printing.