

CSE SERIES SIMPLY NEW

CSE 30
CSE 32
CSE 36
CSE 40



INTELLIGENT ELECTRONIC CONTROL

The fully electronic control with touch screen display provides precise control over crane operation for extremely precise load handling, improvement of crane performances and enhancing of safety levels.

Thanks to its electronic sensors, the control provides instant operating data during operation, such as the precise trolley position and the carried load, and reports alarms ensuring safety systems to all crane functions.

- ▶ Large 7" display with anti-glare
- ▶ IP66 certified and protected by flap
- ▶ Suitable for use with gloves



A WIDE NUMBER OF ADVANCED CONTROL FUNCTIONS IN YOUR HANDS

The advanced control enables the crane to move quickly and precisely to ensure efficient and accurate load handling, as well as improving the overall activities on jobsite.



Easy Setup

With **Easy Setup** the crane setup is electronically performed, for a more precise setting and a dramatic reduction of installation time at the jobsite.



Terex Power Plus

With **Terex Power Plus (TPP)** function the operating capacity can be temporarily boosted by an extra 10% when needed. Do you need to carry your load a little forward, or do you have to lift a slightly heavier load? The TPP function simplifies your daily operations at the jobsite.



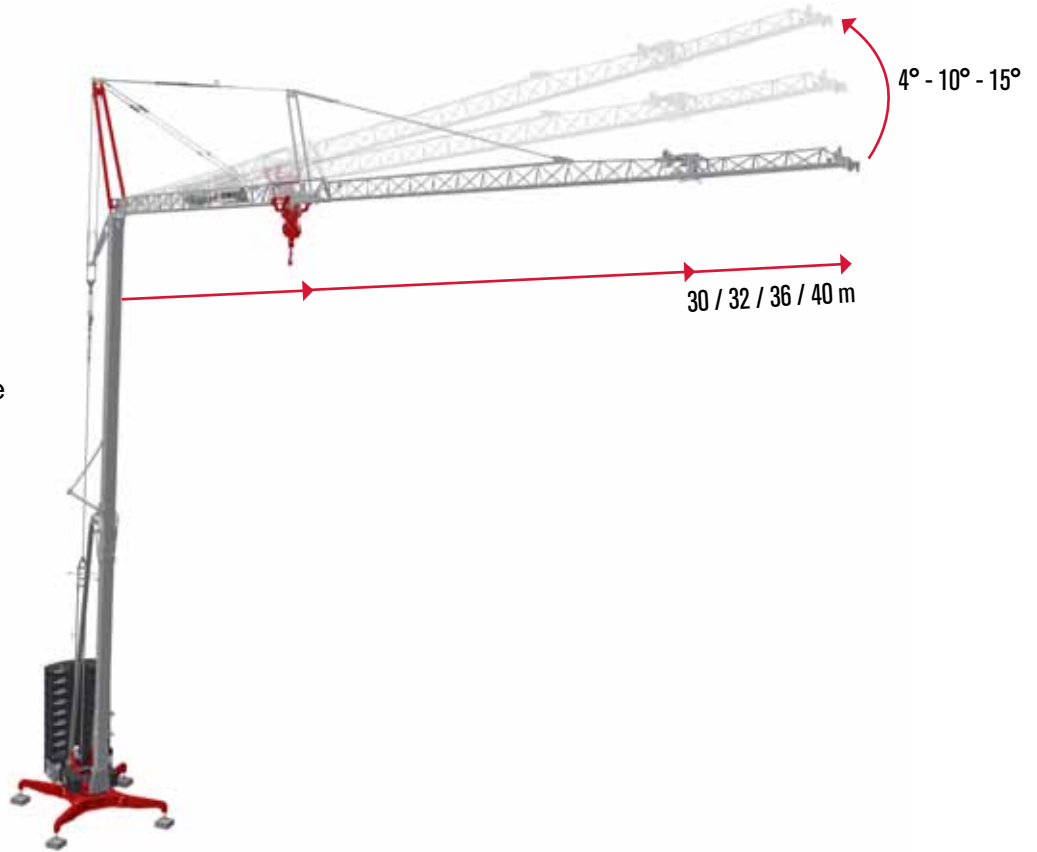
Terex Power Match

Terex Power Match (TPM) function lowers the energy consumption at the jobsite to give you both significant savings on costs and to respond to any possible limits in the available electric power. CSE cranes can also be remotely operated through the optional cable remote control or radio remote control also with TFT color, LED backlight, touch screen display.



FLEXIBLE DESIGN

- ▶ Three raising configurations: 4° - 10° - 15°
- ▶ Foldable jib sections
- ▶ The crane operates both with II & IV falls with an easy and quick configuration change



Compact & easy to handle

Thanks to the new design of base ballast, electrical boards and motors cover, the crane is easier to handle, more compact and daily operations on jobsite are simplified.

Reduced ballast radius

- ▶ Best fitting on space constrained sites
CSE 30 & CSE 32: 2,25 m radius
CSE 36 & CSE 40: 2,80 m radius
- ▶ Ballast options
CSE 30 & CSE 32: 13 x 1.230 kg / 8 x 2.000 kg
CSE 36 & CSE 40: 12 x 1.710 kg / 10 x 2.015 kg



Easier transport and maneuverability

The built-in electrical board is easily and quickly detachable from base ballast, that can be totally removed to lower the weight of main unit and ease transport and positioning onsite.

Simple daily operations

- ▶ Walkable motors cover with metal antislip plate
- ▶ Easily accessible brake release
- ▶ Low maintenance: automatic slewing greasing system option





ADVANCED CONTROL OPTIONS

The crane can be further equipped with *Anti-Collision* and *Zoning systems* and *T-Link Telematics Platform*.

With **Zoning system** you can exclude from crane swing area dedicated zones for example to avoid buildings, trees, electricity cables, or areas with forbidden overflying. On multiple cranes jobsites, with **Anti-Collision system** the movements of all the cranes are coordinated to ensure optimal productivity with full safety.

T-Link Telematics allows to remotely access fleet operating data anytime, anywhere via an Internet connection to optimize efficiency and reduce costs. A wide range of real-time data and a variety of fault-codes are reported to assess fleet performance.

THE RANGE

	CSE 30	CSE 32	CSE 36	CSE 40
Jib length	30 m	32 m	36 m	40 m
Hook height max	27,1 m	27,5 m	31,5 m	32,2 m
Capacity max	4,40 t	4,40 t	4,40 t	4,40 t
Tip load max	1,20 t	1,05 t	1,30 t	1,05 t
Tip load max with TPP function	1,30 t	1,15 t	1,42 t	1,15 t
Hoist speed max	52 m/min	56 m/min	46 m/min	56 m/min



Telematics platform

Discover the latest CSE series: the new Self Erecting Tower Cranes with top class performances and flexibility.

EASY SETUP

Electronically controlled
fast crane setup

POWER IN YOUR HANDS

Lifting capacity up to 4,40 t
Capacity at max length up to 1,15 t / 1,42 t
Lifting speed up to 56 m/min

DURABLE AND SAFE

Hot dip galvanized tower,
jib and tie bars to prevent any corrosion

FLEXIBLE DESIGN

Three raising configurations
Foldable jib sections
II & IV falls with quick configuration change

EASY TO HANDLE: SMALL FOOTPRINT

Ballast radius 2,25 - 2,8 m
Easily removable base ballast
Ballast options

TEREX POWER PLUS (TPP) FUNCTION

Boost operating capacity
by an extra 10% when needed

ELECTRONIC CONTROL

Touch screen display
Radio and cable control options

ADVANCED CONTROL OPTIONS

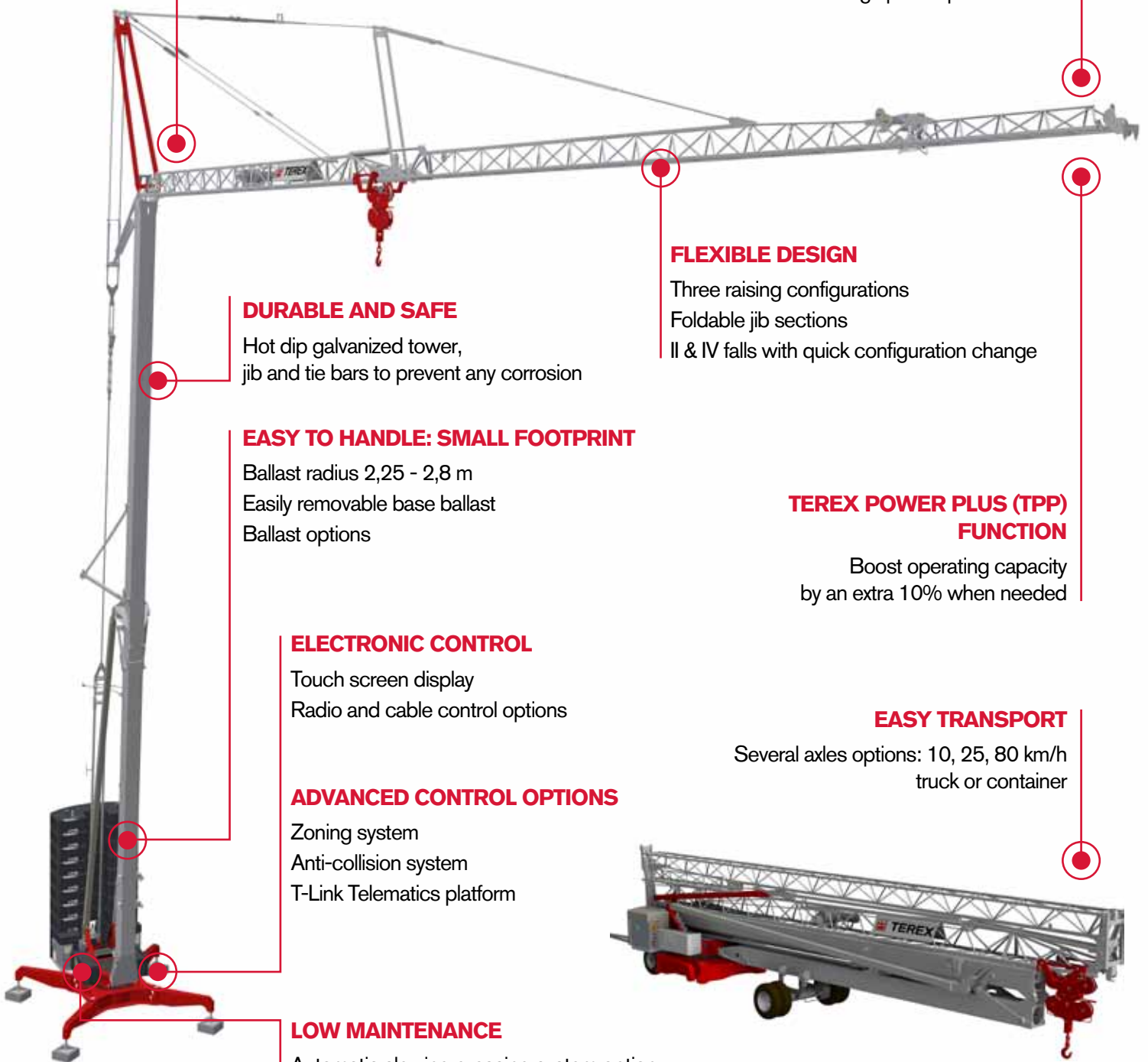
Zoning system
Anti-collision system
T-Link Telematics platform

LOW MAINTENANCE

Automatic slewing greasing system option

EASY TRANSPORT

Several axles options: 10, 25, 80 km/h
truck or container



TEREX TOWER CRANES

Gru Comedil Srl

Via delle Innovazioni, 17
33074 Fontanafredda (PN)
Italy
Ph: +39 0434 989111
Email: mktg.cranes@terex.com



www.terex.com/tower-cranes

Brochure Reference: TC-BR-M-E-CSE RANGE-09/22

WORKS FOR YOU.™